

Game Clock Repeater



Installation and Use Manual



www.bodet-sport.com

BODET Time & Sport

1 rue du Général de Gaulle
49340 Trémentines | FRANCE
Tel.: +33 241 71 72 33



100% papier recyclé



Réf : 607699 B

Upon receipt, always check the product for damage during shipment. If any is found, you may file a damage claim with the carrier.

Table of Content

I - Inventory of the supplied equipment	4
II - Presentation of the product	4
III - Wall mounting of the game clock repeater	5
IV - Electrical connections of the game clock repeater.....	5
V - DIPs configuration.....	6

Electrical and mechanical safety standards

- *Installation and maintenance of this equipment should only be carried out by qualified personnel.*
- *Since BT6000 scoreboards are connected to a mains supply, they must be installed in compliance with standard IEC 364.*
- *Indoor use (protected against blows from balls – Standard DIN18032.3).*
- *The mains supply for the scoreboards must include a neutral phase circuit breaker, rapidly accessible upstream from the supply. This circuit breaker must be switched off during maintenance operations.*
- *This material must be installed before being connected to mains.*
- *It is prohibited and dangerous to immerse the scoreboard in to water or clean it with a water jet.*
- *Installation ground connection as per EE or EN (earth/earth or earth/neutral) power supply diagram.*
- *Bodet accepts no responsibility for any use not in compliance with these instructions.*
- *Any modification to the product will invalidate the guarantee.*

I - Inventory of the supply equipment

The 915876 reference contains: 1 repeater of the Bodet BT6000 scoreboard range game clock.



Game clock repeater

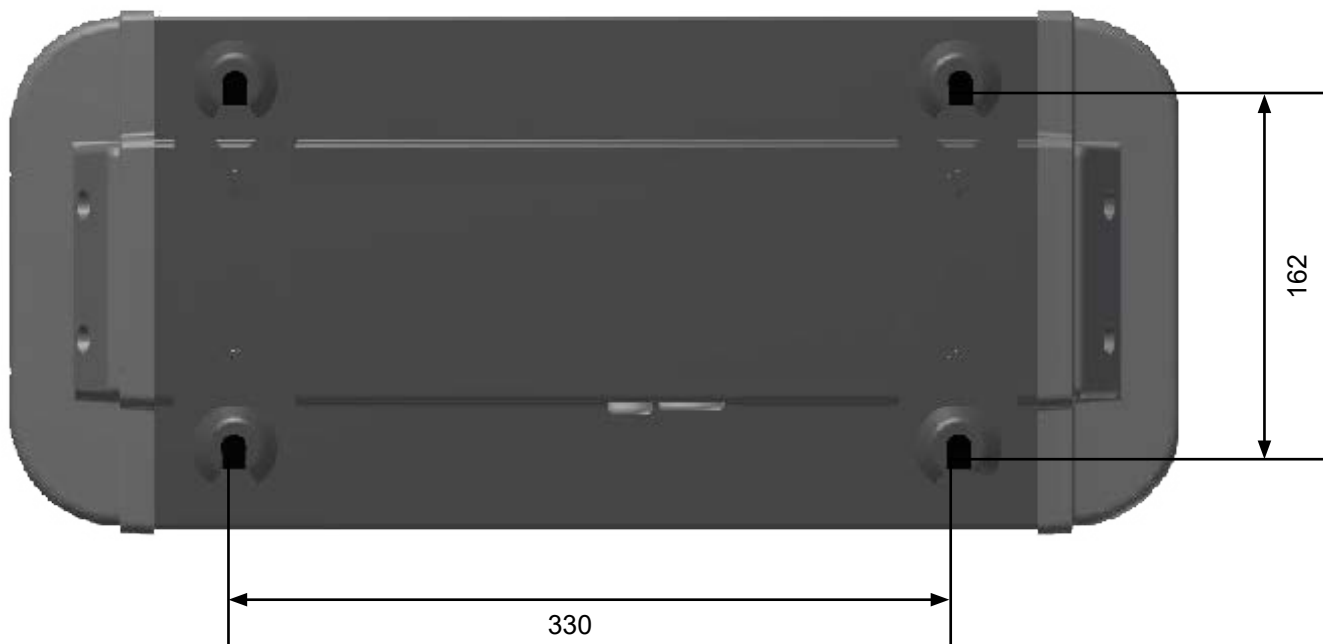
II - Presentation of the product



**Game clock minutes / seconds
or local time in yellow**

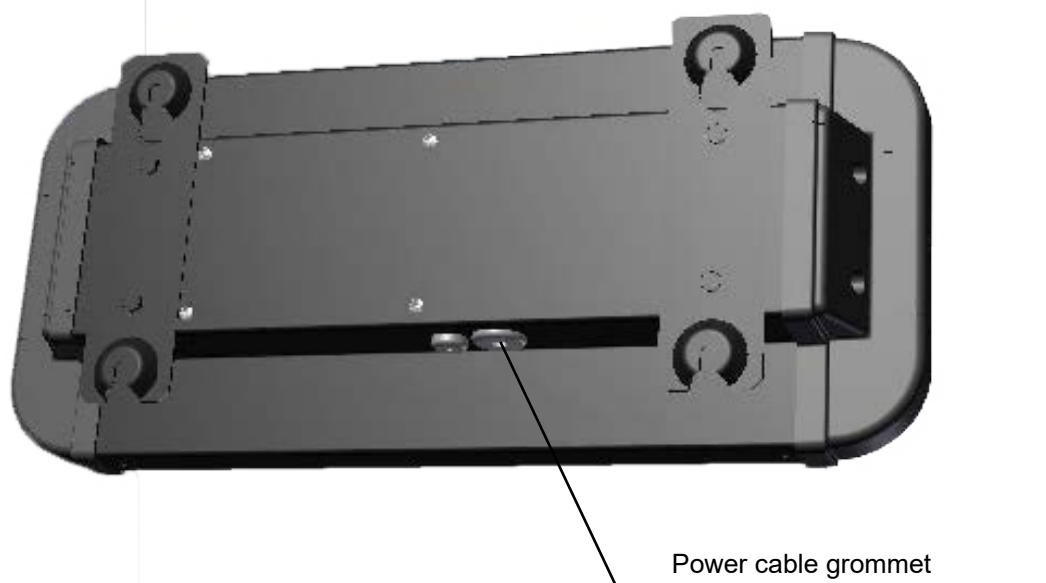
III - Wall mounting of the game clock repeater

1/ Mount the repeater on the wall with 4 x Ø6mm screws (not supplied by Bodet) and the appropriate wall plugs.

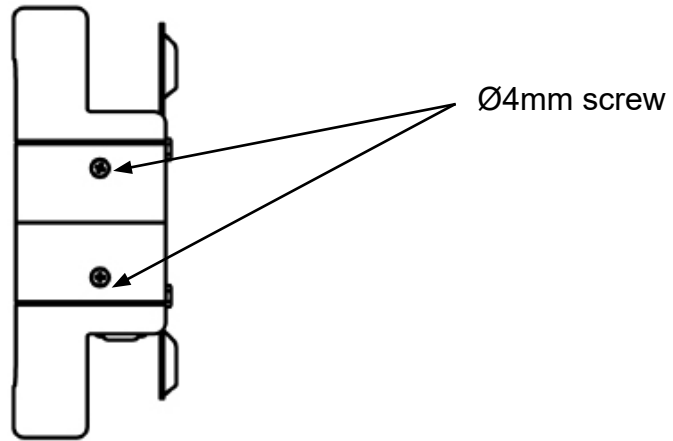


IV - Electrical connections of the game clock repeater

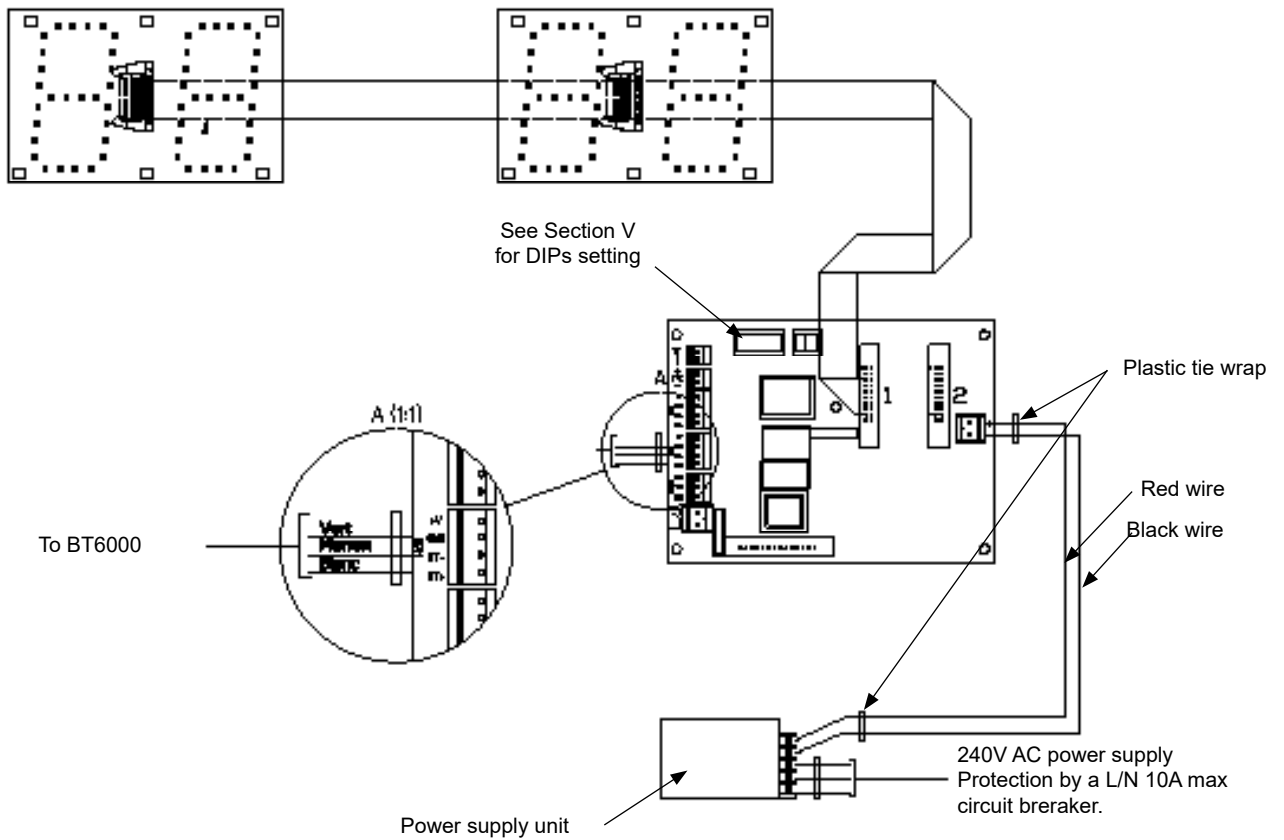
1/ Connect the 240V AC power cord on the power supply unit inside the product (see the wiring diagram next page). The 240V AC power supply line must be protected by a L/N 10A max. circuit breaker.



2/ To access the inside wiring of the product loosen the 2 x Ø4mm screws on one side of the product and carefully slide off the protective front cover.

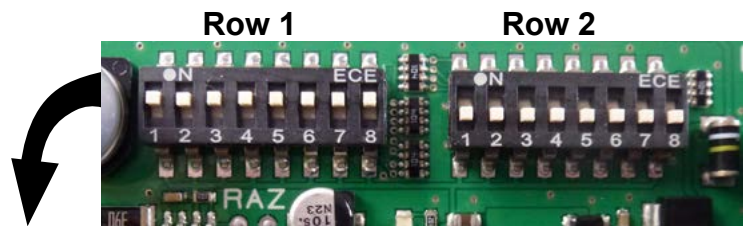


3/ Wiring diagram:



V - DIPs configuration

The DIPs must be set as follow:



Row 1								Row 2							
DIP 1	DIP 2	DIP 3	DIP 4	DIP 5	DIP 6	DIP 7	DIP 8	DIP 1	DIP 2	DIP 3	DIP 4	DIP 5	DIP 6	DIP 7	DIP 8
ON	ON	ON	ON	ON	ON	ON	ON	ON	ON	ON	ON	ON	ON	ON	ON
OFF	OFF	OFF	OFF	OFF	OFF	OFF	OFF	OFF	OFF	OFF	OFF	OFF	OFF	OFF	OFF